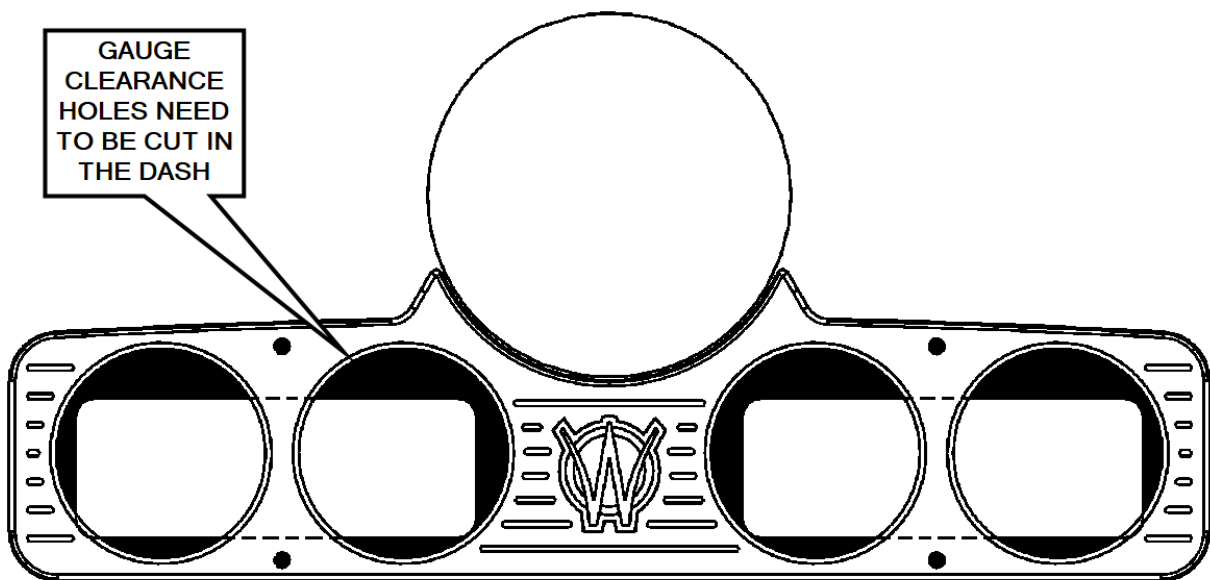


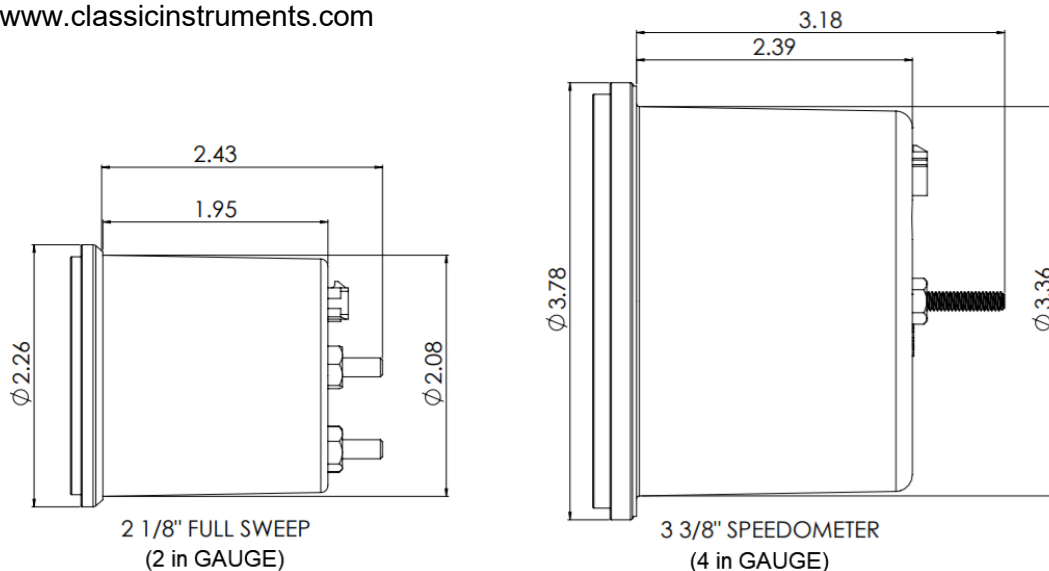
WILLYS FACEPLATE INSTALL

1. DRILL FOUR STUD HOLES IN DASH USING DRILL TEMPLATE ON OTHER SIDE OF THIS SHEET
2. ASSEMBLE THE PROVIDED 10-32 STUDS IN BACK OF FACEPLATE USING THE FOUR THREADED HOLES.
3. TEMPORARILY SET FACEPLATE IN POSITION TO MARK HOLE TRIM LOCATIONS
4. TRIM DASH AS NEEDED
5. MOUNT THE FACEPLATE USING THE PROVIDED NYLOK NUTS
6. INSTALL GAUGES



FOR BEST FIT, SUGGEST USING GAUGES FROM CLASSIC INSTRUMENTS.

<https://www.classicinstruments.com>



GAUGE SIZES SHOWN FOR REFERENCE